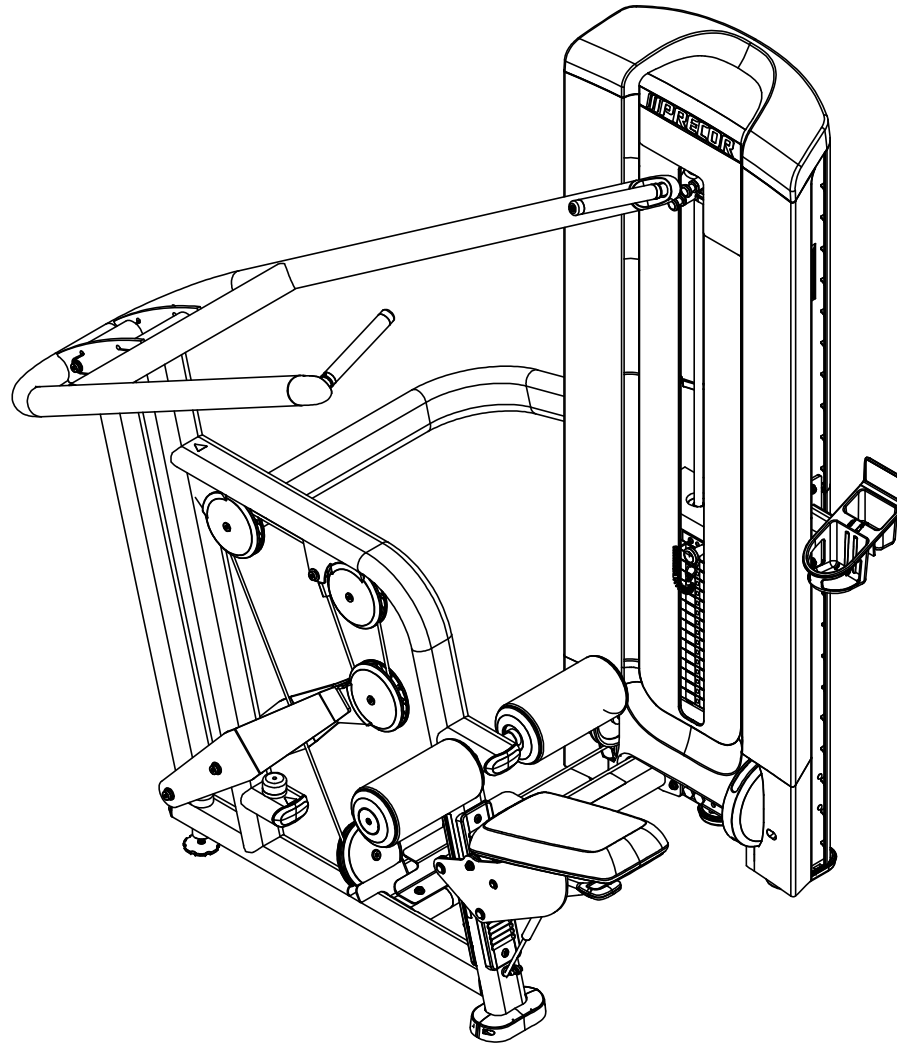


NOTES:

1. THIS LABEL IS FURNISHED AS PART OF A LABEL KIT. ORDER REPLACEMENT LABEL KITS AS FOLLOWS:

ENGLISH - BUBBLE #201
CHINESE - BUBBLE #202
FRENCH - BUBBLE #203
GERMAN - BUBBLE #204
JAPANESE - BUBBLE #205
SPANISH - BUBBLE #206
DUTCH - BUBBLE #207
PORTUGUESE - BUBBLE #208
RUSSIAN - BUBBLE #209
HEBREW - BUBBLE # 210
ITALIAN - BUBBLE #211



C304EC - LAT PULLDOWN

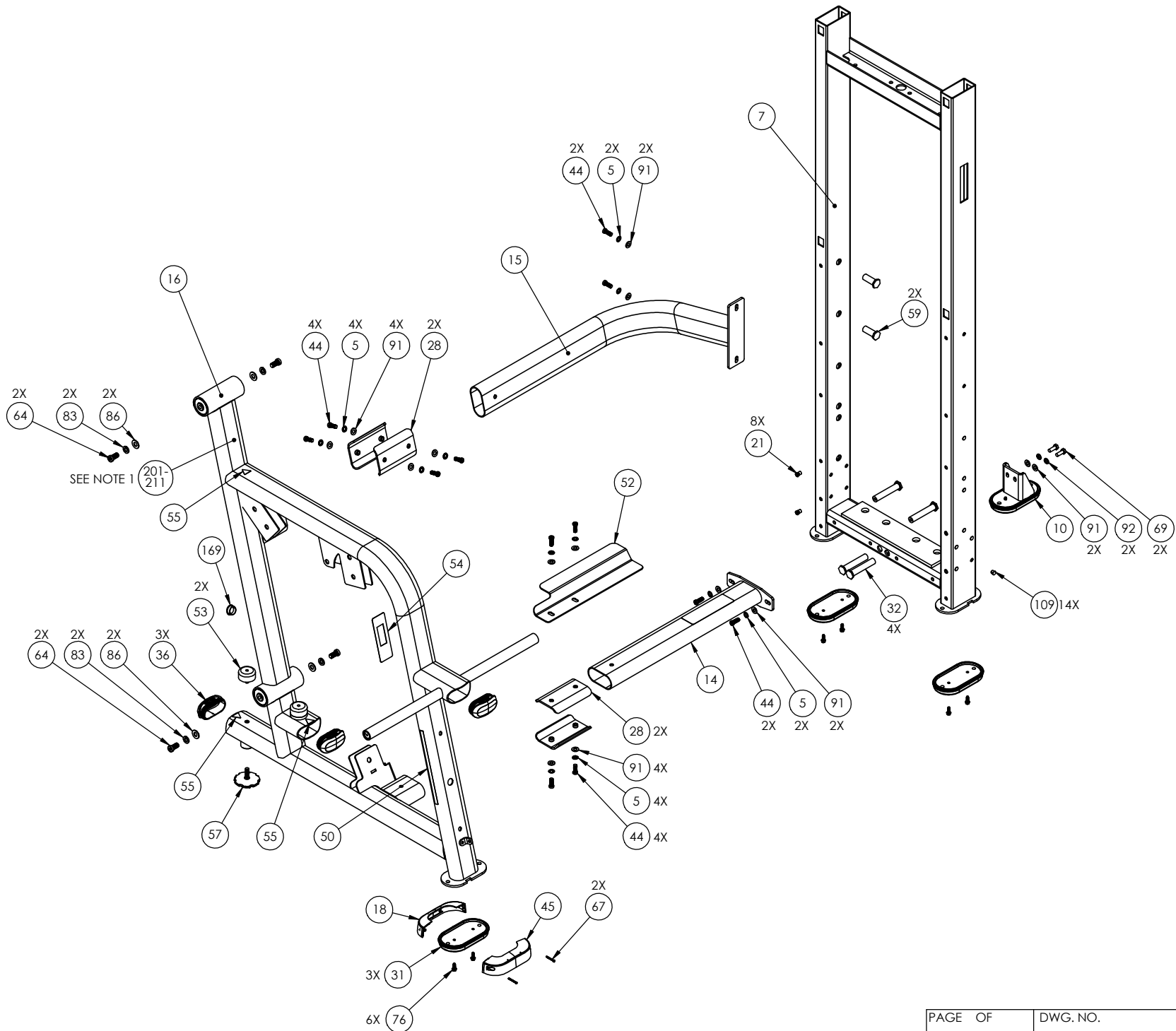
P/N : CW34648-101

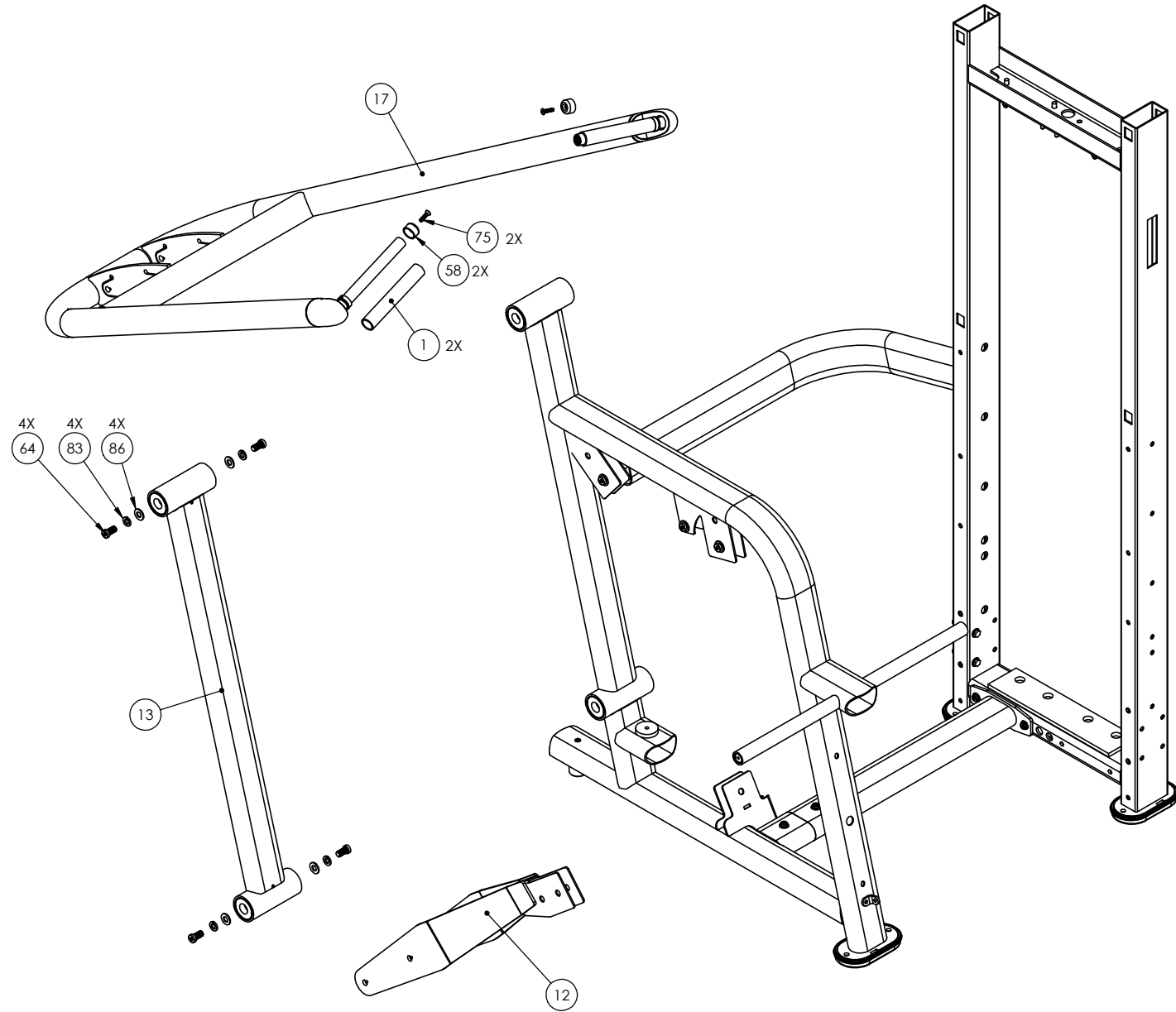
SUBREV : L

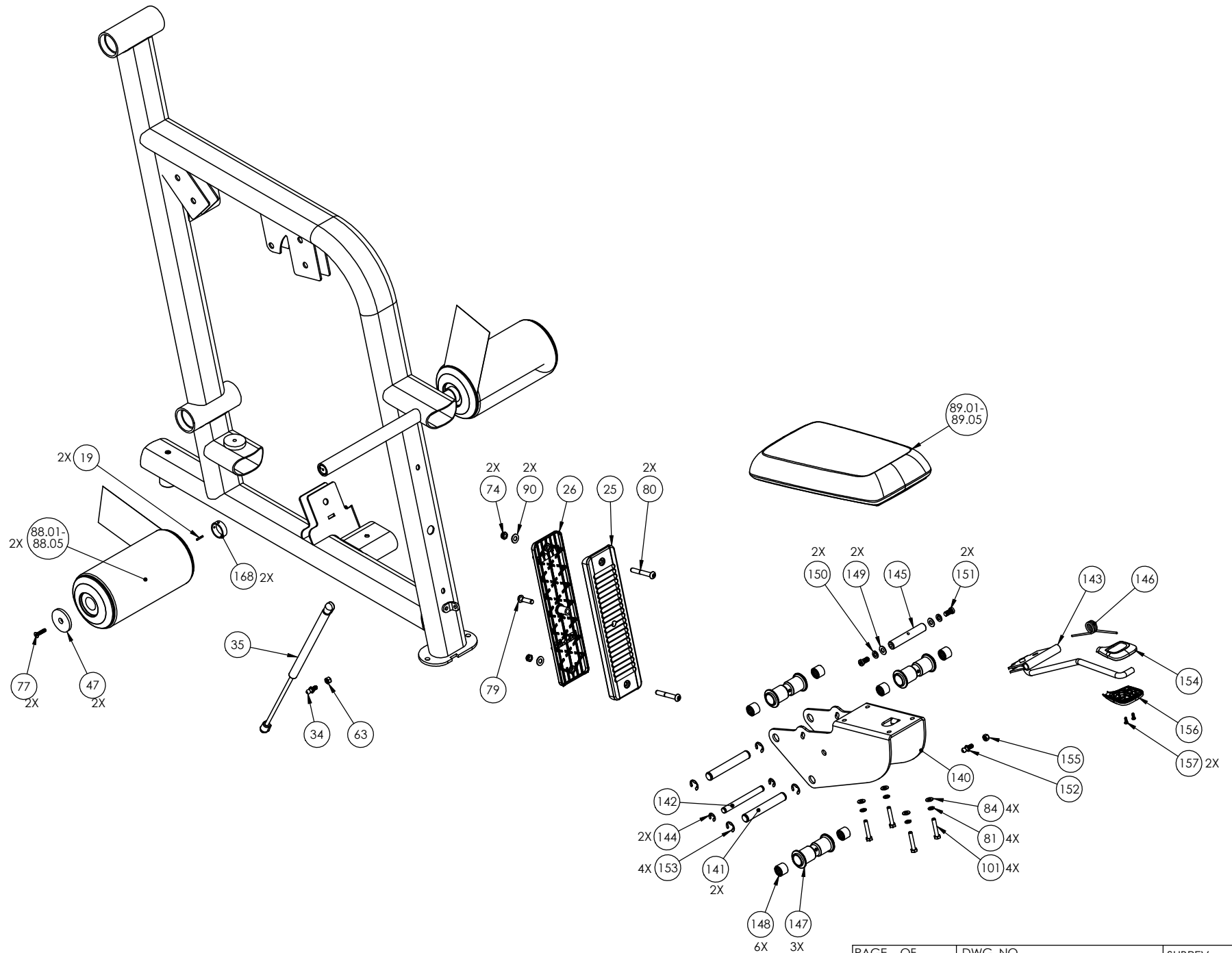
DRAWN BY : MAH

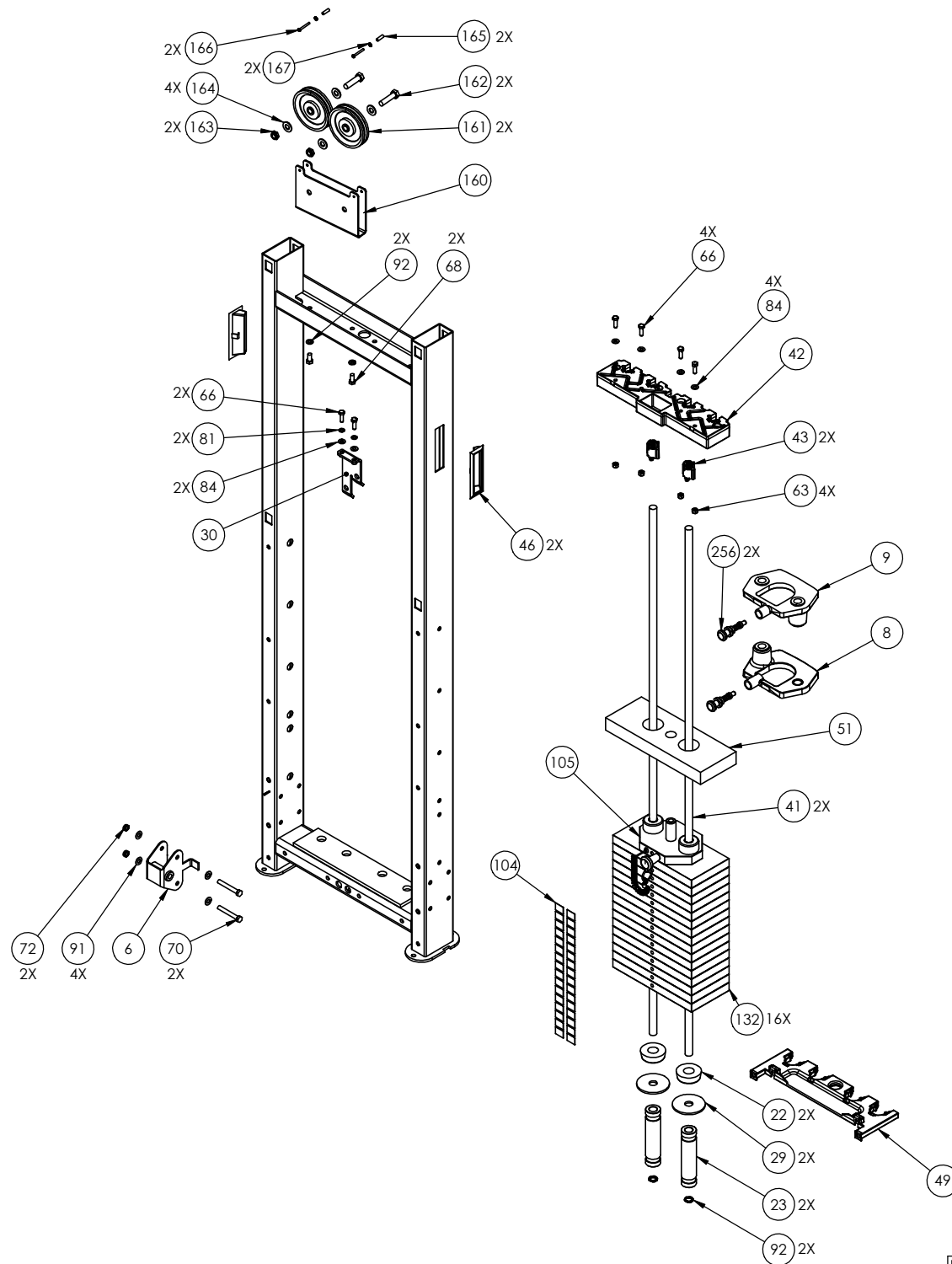
DATE : 04.07.11

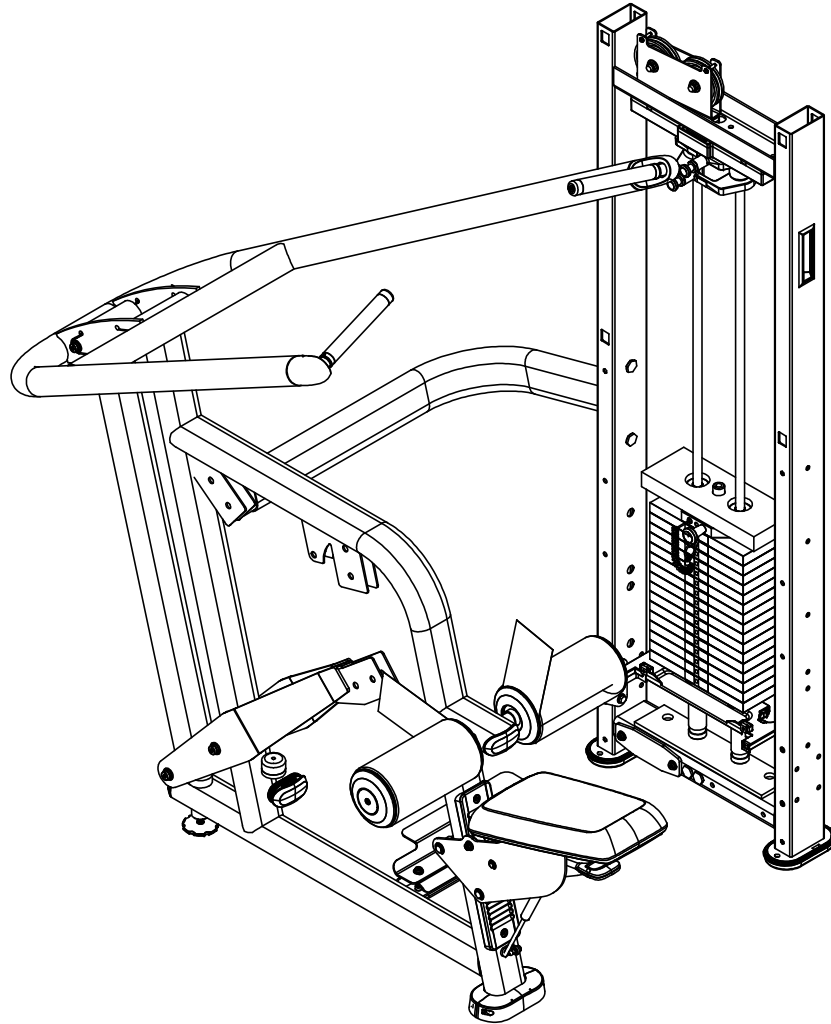
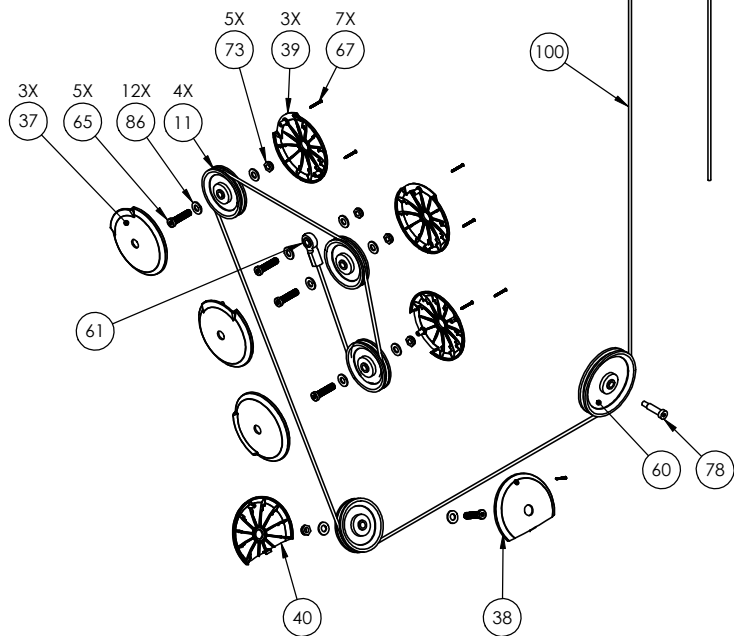
SHEET 1 OF 7

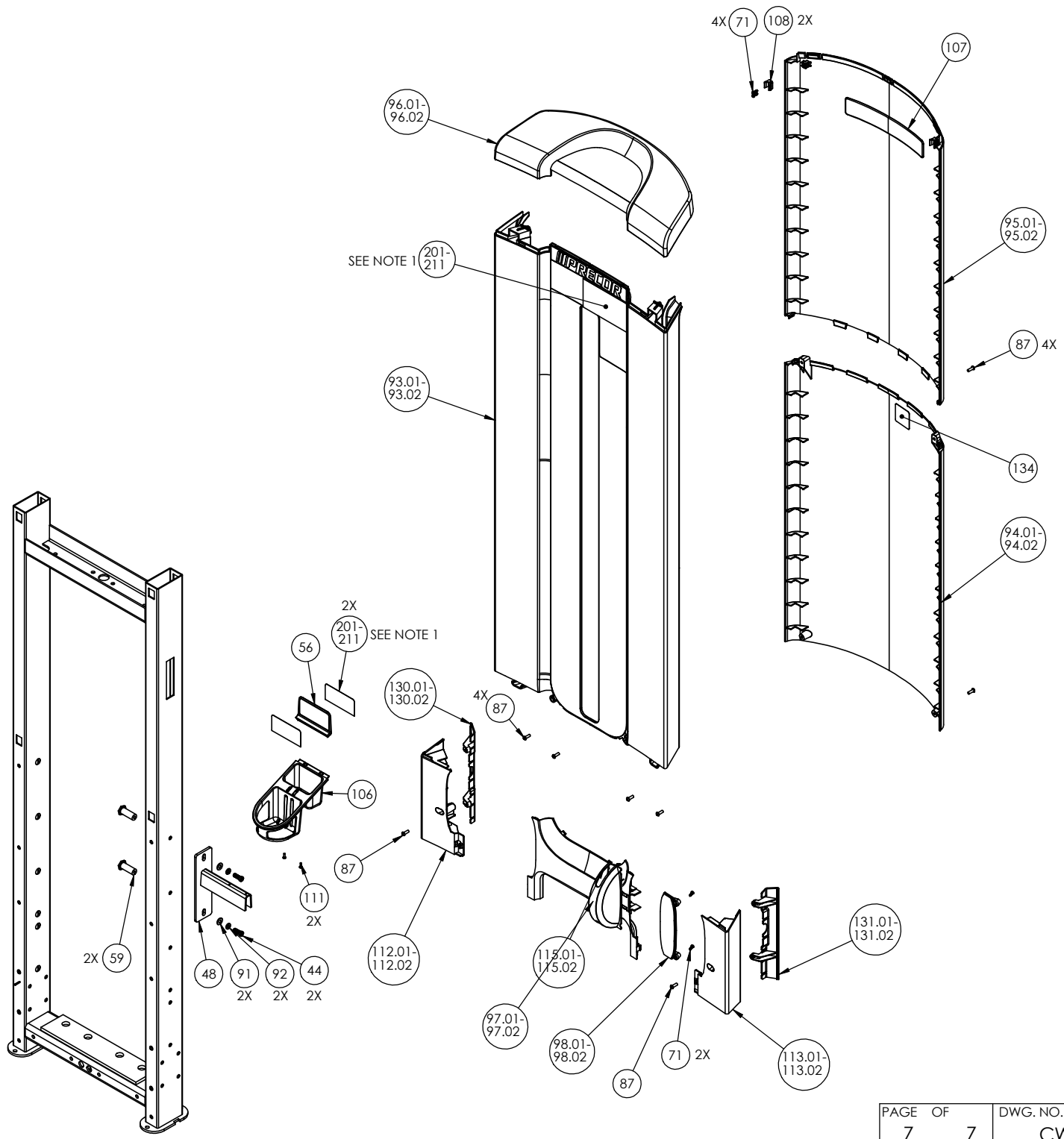












C304EC, Pulldown, C-Line

Part Number	Description	Bubble Number
CWGR4607-750	GRIP, RUBBER, 1.00" OD HANDLE, 7.75	1
CWWATCN038-032	WASHER, LK, INT. TOOTH, .375	5
CW33773-101	WLDMT, WS BASE PULLEY	6
CW33841-103	WLDMT, WEIGHT TOWER, TALL	7
CW33966-102	ASSEMBLY, CAST DROP DOWN,BOTTOM	8
CW33966-103	ASSEMBLY, CAST DROP DOWN, TOP	9
CW34380-101	ASSY, STABILITY FOOT	10
CWAC1009-101	PULLEY, 4 1/2 DIA X 1/2 ID	11
CW50238-101	ASSEMBLY, LINK ARM, PULLDOWN	13
CW50237-101	ASSEMBLY, FRAME, PULLDOWN	16
CW34371-101	ASSY, ARM, PULLDOWN	17
CW34061-103	FOOT COVER FRONT, 15 DEGREES SHORT	18
CWLDNN013-075	SLOTTED PIN SPRING, DIA 1/8 X 3/4	19
CW12112-101	RIVNUT, INSERT, HEX, 1/4-20	21
CW12402-101	BUMPER, ID 1.050, BLK RUBBER	22
CW33633-101	BAR, 1.50 DIA, WEIGHT STACK RISER	23
CW12651-101	WAVE SPRING, .85 OD X .66 ID X .17	24
CW33821-101	INDEXING PLATE, SEAT ADJUST	25
CW33822-101	STOP PLATE, SEAT ADJUST	26
CW33870-104	ASSEMBLY, 5" WEIGHT STACK PIN & LEA	27
CW33880-101	FORMED, PLATE, .19 THICK, DOUBLE-D CO	28
CW33894-101	WASHER, BUMPER BACKING	29
CW33967-102	PLATE, .19 THICK, DRP DW WT MNT	30
CW33991-101	WEIGHT TOWER BOLT ON, LONG	32
CW33992-101	BALL, GAS SPRING	34
CW33993-101	GAS SPRING, 200MM STROKE	35
CW33996-101	DOUBLE D TUBE END CAP	36
CWEANN016-013	SCREW, SET, SCKT, CUP POINT, 8-32 X	36
CW33997-108	4.5" PULLEY COVER, BRKT MOUNT, FRON	37
CW33997-109	4.5" PULLEY COVER, TRUNCATED, FRONT	38
CW33997-111	4.5" PULLEY COVER, BRKT MOUNT, BACK	39
CW33997-112	4.5" PULLEY COVER, TRUNCATED, BACK	40
CW34007-101	BAR, DIA .75, GUIDE ROD, TALL STACK	41
CW34014-101	UPPER GUIDE ROD SUPPORT	42
CW34015-101	UPPER GUIDE ROD LOCK	43
CWCPMN038-100	SCREW, SCKT LW HD, MCH CLR ZI, 3/8-1	44
CW34061-104	FOOT COVER BACK, 15 DEGREES SHORT	45
CW34067-101	PLASTIC RECESSED HANDLE	46
CW35033-102	ROLLER END CAP, UHMWPE	47
CW34364-101	WLDMT, WATER BOTTLE HOLDER	48
CW34367-101	LOWER COVER SUPPORT ASSY	49
CW34377-103	LABEL, SEAT ADJUSTMENT, VERTICAL	50
CW35035-101	COUNTERWEIGHT, WEIGHT STACK, 25 LBS	51
CW34626-101	FORMED SHEET, 10 GA. (.13), PULLDOW	52
CW34690-101	BUMPER, RUBBER, SCREW-ON, 3/8-16.	53
CW34758-102	LABEL, PINCH POINT WARNING, RENOVO,	55
CW34788-101	LABEL PLACARD, WATER BOTTLE, WEIGHT	56
CW39916-103	FOOT, ADJUSTING, NO LOGO	57
CW34091-101	HANDLE END CAP, ALUM,	58

CW33991-102	WEIGHT TOWER BOLT ON, SHORT	59
CWAC1010-101	PULLEY, 6 DIA X 1/2 ID	60
CWCLFA1064-741	ROD END, FEMALE, STEEL, ZINC, CAD,	61
CWHCCN038-075	SCREW, HEX, CLR. CLR. ZINC, 3/8-16	62
CWKACN031-016	LOCKNUT,HALF, 5/16-18,ZN	63
CWCPMN050-100	SCREW, SCKT LW HD, MCH CLR ZI,1/2-1	64
CWCPMN050-200	SCREW, SOCKET LOW HEAD, MECH CLR ZI	65
CWHCCN031-100	SCREW, HEX, GR 5, 5/16-18 X 1.0, ZN	66
CWPMTN016-125	SCREW, SELF TAPPING,#8 X 1 1/4 PHIL	67
CWHCCN038-100	SCREW, HEX, CLR ZINC, 3/8-16 X 1.00	69
CWHCCN038-275	SCREW, HEX, CLR. ZINC, 3/8-16 X 2 3	70
CWPMTN016-063	SCREW, SELF TAPPING,#8 X 5/8 PHIL,	71
CWKACN038-027	LOCKNUT,HALF, 3/8-16, ZN	72
CWKACN050-031	LOCKNUT,HALF, 1/2-13, ZN	73
CWKATN038-027	LOCKNUT,HALF, 3/8-16, SHARPERIZED B	74
CWMACMN025-100	SCREW, FLT HEAD, SOCKET, MECH CLR Z	75
CWPLCN025-075	SLOTTED, HEX, WASHER, HEAD, 1/4-20	76
CWMACTN025-100	SCREW, FLT HEAD, SOCKET, BLK SHARPE	77
CWRANN038-150	BOLT, SHOULDER, 3/8-16 X 1/2 X 1 1/	78
CWWALCN031-008	WASHER, SPLIT, 5/16 ID, ZN	81
CWWALCN050-013	WASHER, SPLIT, 1/2 ID, CLR ZINC	83
CWWBCN031-007	WASHER, FLAT, TYPE A, SAE, 5/16 ID	84
CWWBCN050-010	WASHER, FLAT, TYPE A, NARROW, 1/2 I	86
CWTATN025-075	SCREW, BUTTON HEAD, SHARPERIZED BLK	87
CWPD4024-101	SHORT ROLLER PAD, RENOVO, BLACK	88.01
CWPD4024-114	SHORT ROLLER PAD, RENOVO, CUSTOM	88.02
CWPD4024-118	SHORT ROLLER PAD, IMP BLUE	88.03
CWPD4024-122	SHORT ROLLER PAD, PAPRIKA	88.04
CWPD4024-131	SHORT ROLLER PAD, MAHOGANY	88.05
CWPD4029-101	MEDIUM SEAT PAD, RENOVO, BLACK	89.01
CWPD4029-114	MEDIUM SEAT PAD, RENOVO, CUSTOM	89.02
CWPD4029-118	MEDIUM SEAT PAD, RENOVO, IMP BLUE	89.03
CWPD4029-122	MEDIUM SEAT PAD, RENOVO, PAPRIKA	89.04
CWPD4029-131	MEDIUM SEAT PAD, RENOVO, MAHOGANY	89.05
CWWBTN038-007	WASHER, FLAT, TYPE A, SAE, 3/8 ID	90
CWWBCN038-007	WASHER, FLAT, TYPE A, 3/8 ID X 13/1	91
CWWALCN038-009	WASHER, SPLIT, 3/8 ID, CLR ZINC	92
CW34198-103	ASSY, WINDOW BASE SHROUD, TALL, SIL	93.01
CW34198-104	ASSY, WINDOW BASE SHROUD, TALL, AMA	93.02
CW34376-101	ASSY,COVER, BACK, LOWER, TALL, PACI	94.01
CW34376-102	ASSY,COVER, BACK, LOWER, TALL, DARK	94.02
CW34199-101	ASSY, BACK, TOP SHROUD, TALL, PACIF	95.01
CW34199-102	ASSY, BACK, TOP SHROUD, TALL, DARK	95.02
CW33947-103	COVER, TOP	96.01
CW33947-104	COVER, TOP, AMAZON STONE	96.02
CW33945-101	COVER, CENTER	97.01
CW33945-102	COVER, CENTER, AMAZON STONE	97.02
CW34013-101	PLUG, PULLEY, SILVER GRAY	98.01
CW34013-102	PLUG, PULLEY, AMAZON STONE	98.02
CWCLPP229-875	ASSY, CABLE, WT. STACK, PULLDOWN, R	100
CWHCCN031-175	SCREW, HEX, GR 5, 5/16-18 X 1 3/4 C	101
CW50269-101	KIT, WEIGHT STACK LABELS, 260 LB	104

CW34301-101	ASSEMBLY, TOP PLATE, 260 LBS RECTAN	105
CW34787-101	WATER BOTTLE HOLDER, WEIGHT STACK	106
CWAAHN134-006	RETAINING RING, EXTERNAL, 34MM(1.33	106
CW34073-102	PRECOR BADGE, BACK	107
CW34074-101	REAR COVER SNAP	108
CW11095-107	CAP, PLASTIC, HEYCO, DOME PLUG, 0.3	109
CW34071-101	PRECOR BADGE, FRONT	110
CWMGCN016-050	SCREW, MCH, 8-32 X 1/2, PANHD, PHIL	111
CW34343-101	CORNER COVER ASSY, LEFT, SILVER GRA	112.01
CW34343-103	CORNER COVER ASSY, LEFT, AMAZON STO	112.02
CW34343-102	CORNER COVER ASSY, RIGHT, SILVER GR	113.01
CW34343-104	CORNER COVER ASSY, RIGHT, AMAZON ST	113.02
CW34012-103	PULLEY COVER, 6 INCH, SILVER GRAY	115.01
CW34012-104	PULLEY COVER, 6 INCH, AMAZON STONE	115.02
CW34341-101	BOTTOM, EDGE COVER, RAIL, LEFT, SIL	130.01
CW34341-103	BOTTOM, EDGE COVER, RAIL, LEFT, AMA	130.02
CW34341-102	BOTTOM, EDGE COVER, RAIL, RIGHT, SI	131.01
CW34341-104	BOTTOM, EDGE COVER, RAIL, RIGHT, AM	131.02
CW34292-101	ASSEMBLY, WEIGHT PLATE, RECTANGULAR	132
CW34373-101	LABEL,CABLE BOLT WARNING STRENGTH,	134
CW33752-102	FORMED PLATE, .19 THICK	140
CW33976-102	BAR, .75 DIA, SEAT ROLLER SHAFT	141
CW33755-102	BAR, .50 DIA., SEAT LATCH SHAFT	142
CW33757-101	WLDMT,LATCH,SEAT ADJUST	143
CWAECN050-004	E-RING,.50 DIA X .04 THICK, CLEAR Z	144
CW33756-101	BAR, .75 DIA.	145
CW33938-101	SPRING, TORSION, SEAT LATCH	146
CW33820-101	ROLLER, SEAT ADJUST	147
CW10221-104	BEARING, NEEDLE, .75 ID	148
CWWBCN038-007	WASHER, FLAT, TYPE A, 3/8 ID X 13/1	149
CWWALCN038-009	WASHER, SPLIT, 3/8 ID, CLR ZINC	150
CWCPMN038-075	SCREW, SCKT LW HD,MCH CLR ZI,3/8-16	151
CW33992-101	BALL, GAS SPRING	152
CWAECN075-005	E-RING,.75 DIA X .05 THICK, CLEAR Z	153
CW34063-101	SEAT ADJUST HANDLE, TOP	154
CWKACN031-016	LOCKNUT,HALF, 5/16-18,ZN	155
CW34063-102	SEAT ADJUST HANDLE BOTTOM	156
CWPMCN016-050	SCREW, SELF TAPPING,#8 X 1/2 PHIL,	157
CW35978-101	DBL PULLY BRKT,FORMED PLATE,10GA(.1	160
CWAC1009-101	PULLEY, 4 1/2 DIA X 1/2 ID	161
CWHCCN050-200	SCREW, HEX HEAD,ZN, 1/2-13 X 2.0	162
CWKACN050-031	LOCKNUT,HALF, 1/2-13, ZN	163
CWWBCN050-010	WASHER, FLAT, TYPE A, NARROW, 1/2 I	164
CW35980-101	SPACER, ALU,.166 ID X .25 OD X .875	165
CWMGCN016-150	SCREW,MCH,8-32X1-1/2,PANHD,	166
CWWAMCN016-020	WASHER, LOCK, EXT TOOTH, #8	167
CW34039-101	ASSY,HANDLE RETAINING RING,1.29 ID	168
CW11095-109	CAP, PLASTIC, HEYCO, DOME PLUG, 1.0	169
CWTAKN038-150	SCREW,BTHD,3/8-16X1-1/2,BLK ZN	179
CWTAKN038-275	SCREW,BTHD,3/8-16X2-3/4,BLK ZN	180
CW50271-101	KIT, DROP DOWN WEIGHTS.	250
CW50288-101	KIT, POP PIN, DROP DOWN WEIGHT	256

CW35145-101	CUT PIECE CREPE, .06" THICK	257
CW11095-111	CAP, PLASTIC, HEYCO, PRY OUT PLUG,	265
CW34960-141	LIT KIT, EXPERIENCE C, PULLDOWN, EN	999